

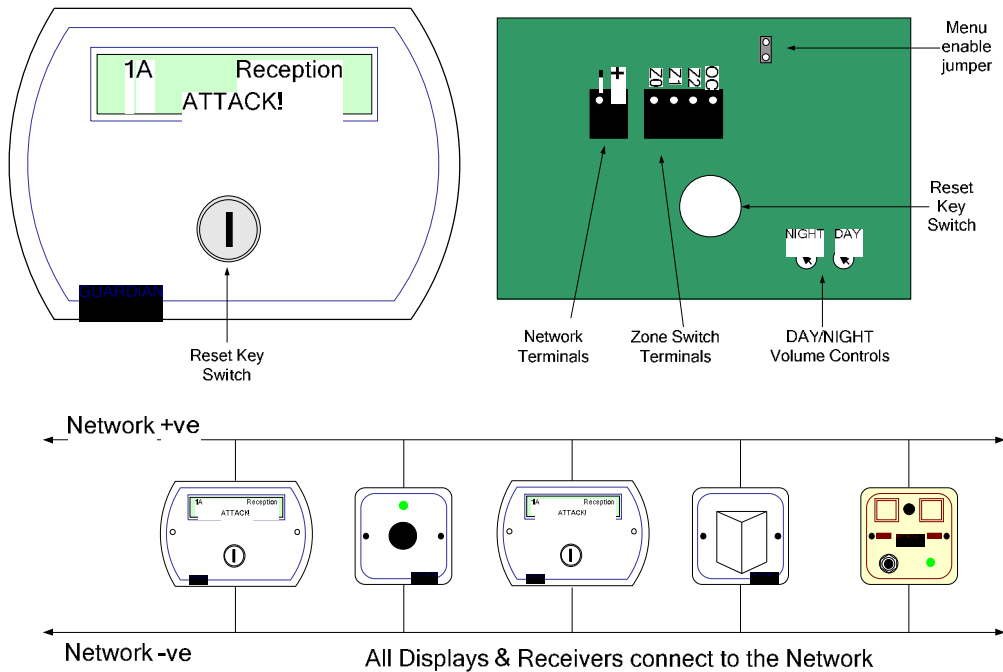
Installation & Operation Manual

Guardian DISP1 Alphanumeric LCD Display Unit

The **DISP1** Alphanumeric Display Unit is the device used to sound the alarm and identify the location of each incident along with the level of assistance required. The display can also show the identity of the staff member calling for assistance.

The **DISP1** features a two line 16 character back lit LCD display and a multi level adjustable alarm. The unit features different tones for different levels of call as well as having the capability of sounding a different tone for selected call points (doors, drugs cupboards, telephone etc). The DISP1 can also be setup to display specific call points (zoning) if required. There is an Open Collector output which can be connected to the **RB1** Relay Board or used directly to trigger external equipment.

All DISP1 Display Units are identical, but each can be configured to operate independently or as a slave display to a master unit.



- + & - terminals - Used to connect the unit to the system network (**Observe Polarity**).
- Z0, Z1, Z2 - Connect to zone switch or wire link (see Zoning table) terminals
- OC Output - Open Collector output active continuously when in alarm (**12VDC 100mA**)
- Night Alarm Setting - Controls alarm volume when the system is in 'Night Mode'
- Day Alarm Setting - Controls alarm volume when the system is in 'Day Mode'
- Menu Enable - Remove jumper to prevent unauthorised access to Display Configuration Menu
- Sounder Output - Typical maximum 92 dB @ 30cm
- Zone switch The - This text is intended as a technical reference only. Please see the section on 'Zoning' for full details.
 following connections force the Display to use the address windows that are programmed on site.
 Z1 not connected - Z2 not connected = Global (Sound for all calls)
 Z1 not connected - Z2 connected to Z0 = Use Address Window C
 Z1 connected to Z0 - Z2 not connected = Use Address Window B
 Z1 connected to Z0 - Z2 connected to Z0 = Use Address Window A
- Location of unit - Mount 1.5m high on wall for optimum viewing angle.
- Call Levels - **Call/Assistance** – Generated by pressing the button on the STC P.A.D.
 - **Attack** – Generated by the ripout activator on the P.A.D.
 - **Tamper** – Generated by release of the tamper spring on the rear of the receiver units
 - **Unit Failure** – Generated when the network connection to a receiver unit is lost
 - **System Fault** – Generated when the AC Mains to the Intelligent Power Supply is lost
- Dimensions - 163mm x 115mm x 35mm