

PageTek 2 SCPUHF

Budget 4-zone programmable
paging system kit



PageTek 2 SCPUHF
DC model



PageTek 2 SCPUHF
Mains model



GEO N6V
Numeric pager

features

- Budget 4 Zone UHF Transmitter
- Numeric and Tone/Vibrate Paging
- Mains powered or DC models
- Ranges of up to 1 mile
- Ready-to-Go Kit complete with Numeric Pager and Aerial

PageTek 2

The SCPUHF is the forerunner of the PageTek 2 customer programmable transmitter. Whilst superseded, the SCPUHF has been renamed PageTek 2 SCPUHF and retained as a mainstream item due to its popularity and simplicity of use for a wide range of applications including security, fire, nurse call, access control and plant monitoring. These units are normally supplied as a kit which includes a numeric display pager and a quarter wave aerial.

The 12-14v DC version of this transmitter is perfectly suited to primary cell or lead acid battery operation as their standby current is below 300 micro amps.

A mains powered version (PSCPUHF) is also available, with optional battery backup to cover in the event of mains failure.

The transmitter is equipped with 4 volt-free trigger inputs which can be operated in a normally open or normally closed mode. Zone 4 is also able to support a +12 volt trigger. When a zone is triggered, the pager will display the active zone number, together with an identifying beep type or vibrate pattern. The transmitter can be configured to send repeat calls at preset intervals.

Why UHF?

UHF frequencies provide an incredibly high degree of reliability in terms of signalling success within an industrial environment, whilst using very small unobtrusive aerials. The PageTek 2 SCPUHF uses the same digital signalling system employed by most wide area paging systems which is accepted to be amongst the most sophisticated and reliable in the world.

PageTek 2 SCPUHF
mains transmitter



Security/Fire



Plant monitoring

Pager - Numeric and Tone Only

The transmitter can operate with either numeric display or tone/vibrate only pagers. The pager can be programmed as "locked" to avoid accidental switch off, it can also be locked into tone or vibrate mode if required.



For more information on the specific pagers available for use with this unit, please refer to the separate pager brochures or talk to our technical sales team.



Nursecall

Performance

A standard quarter wave aerial will provide more than adequate performance for most industrial sites and buildings well in excess of 100,000 sq ft or a free radiated range of up to a mile. Performance can be improved by way of a centre fed half wave dipole aerial mounted either inside or outside the building at a more elevated height.

Programming

A variety of standard programs exist, although our technical sales team will be happy to give advice on available options prior to ordering.

Monitoring Receivers

A logging receiver can also be applied to any system, which will automatically monitor activity from any number of transmitters and output the data on a serial port. See separate receiver brochures for further details.

Other Special Requirements

We recognise that our customers are the driving force behind our business and our aim is to provide the most reliable, cost-effective and safe solutions to satisfy all their special requirements. Call us to find out how we can tailor a system to meet your individual needs.



PageTek 2 SCPUHF
DC model

Budget 4-zone programmable paging system kit

MAINS MODEL

Footprint: (H)* 328 x (W) 190 x (D) 78 mm
[*496 mm with 1/4 wave antenna]

Wall mounting centres: (H) 273.5 x (W) 152 mm. Hole dia. 4.75 mm

Clearance: allow minimum 200 mm clearance top & bottom

Power Input: 90-230V ac 50-60 Hz @ 250mA

Facilities required: 230V ac 13A mains socket or 5A fused spur within 1 metre of unit.

DC MODEL

Footprint: (H)* 185 x (W) 140 x (D) 42 mm
[*335 mm with 1/4 wave antenna]

Wall Mounting centres: (H) 130 x (W) 110 mm. Hole dia. 4.75 mm

Clearance: allow 150 mm top & bottom

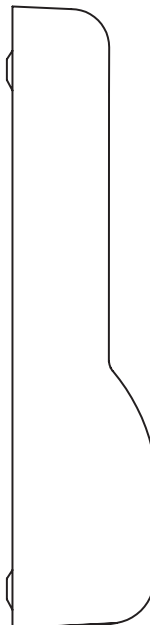
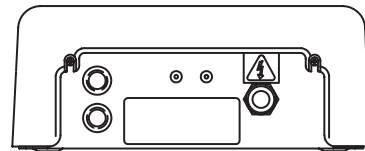
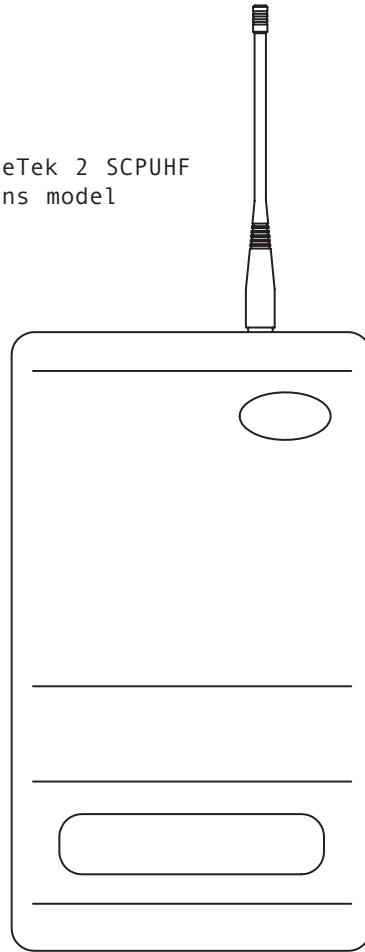
Power Input: 12V-14V dc @ 0.5A

ALL MODELS

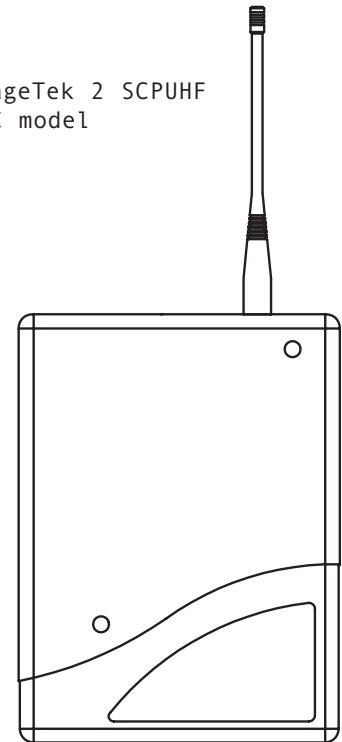
Approvals: CE marked and compliant with the R&TTE Directive 1999/5/EC.

Standards applied: EN 300 224 (On-Site Radio Paging) EN 301 489 (EMC) and EN 60950 (Safety).

PageTek 2 SCPUHF
Mains model



PageTek 2 SCPUHF
DC model



Sensorium
9 Nethertown Broad Street
Dunfermline
Fife KY12 7DS

Tel: +44 (0)1383 720 600

Website: www.sensorium.co.uk
Email: sales@sensorium.co.uk

Licensing: this equipment may require a license for operation in the UK.
Our sales team will provide details and the relevant forms.

© Scope Communications Uk Ltd. All specifications subject to change. E & OE.