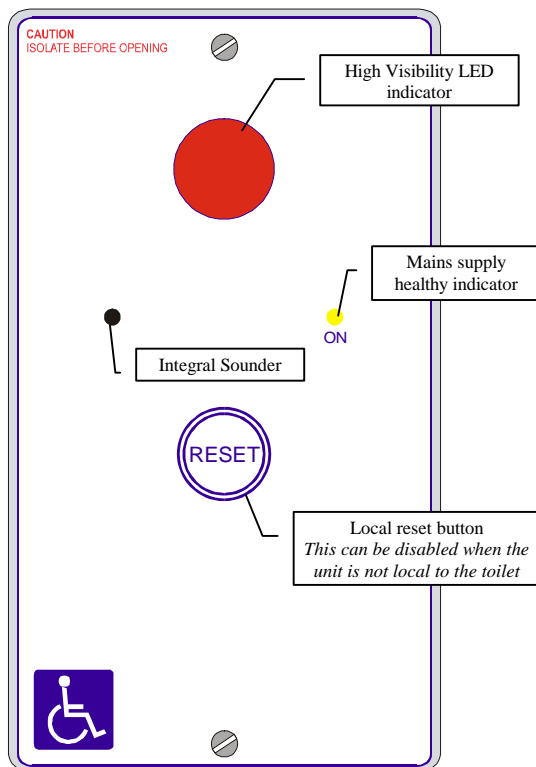


## Disabled W.C Alarm Kits

Recent regulations require that all new disabled WC installations are fitted with a method of communication. The Intercall disabled WC alarm is available in *standard* and *budget* kit format, providing all you need\* for a compliant, reliable and easy to use disabled persons toilet alarm.



### General

The **Alarm Controller** (shown above) forms the heart of the disabled toilet alarm system and is a complete power supply & alarm unit in one. The Budget Kit **DSAB1** contains Alarm Controller and Ceiling Pull Switch, while the Standard Kit **DSAB2** contains; Alarm Controller, Ceiling pull switch, Overdoor Light/Sounder and Reset point.

### Features

- Integral mains powered PSU.
- Supplied with on-board back up battery.
- High visibility LED indicator.
- High output audible sounder.
- Integral reset button.
- Mains power indicator.
- Alarm mode jumper.
- Local reset button disable jumper.
- Self test facility.
- Plug-on terminals for ease of installation.
- Ceiling Pull Switch with re-assurance LED.
- Reset Point with re-assurance LED.\*\*

\* Disabled Toilet Alarm Kits exclude back boxes, fixings, cable & tools. \*\* Reset point only available in standard kit **DSAB2**

### Location of Equipment

The **Alarm Controller** should be located in an area suitable to attract attention in the event of an alarm. Ambient light conditions and background noise should be taken into account to ensure the alarm will not go unnoticed. The unit is not suitable for exterior location unless suitably protected against the weather.

The **Ceiling Pull Switch** must be located within the toilet, accessible to a person using the toilet. *Typical installation configurations are shown overleaf.*

### Operation

Under normal conditions, the Alarm Controller 'on' LED will illuminate orange and the sounder and LED will be off. When the Ceiling Pull Switch is activated within the toilet area, the Alarm Controller audible sounder and high visibility LED will operate. The Overdoor Light / Sounder will operate, simultaneously. The call may be reset at the Alarm Controller and/or at the Reset Point within the toilet, depending on system configuration.

One Alarm Controller can operate a maximum of two Overdoor Light/Sounder units and two Ceiling Pull Switches or two Reset Point units.

### Installation – First Fix

Electrical backboxes are required for the following items and these must be ordered separately. The Alarm controller requires 35mm depth double gang flush box or 'round cornered' plastic surface box. The Overdoor Light and Reset Point require 25mm depth single gang flush box or 'round cornered' plastic surface box. The Ceiling Pull Switch is self-contained with its own surface mounting enclosure.

### Caution

The Alarm Controller back box must be securely fitted to the wall as the back box in conjunction with the front plate, comprise a fire compartment and therefore it must be made from a flame retardant material. Any apertures must be sealed off as not to compromise the integrity of the fire compartment. For example, knock-outs removed must be sealed with a flame retardant gland. Any dust created when fixing the fixing process must be kept out of the electrical and electronic systems, and care must be taken not to damage any cables or electrical components on the rear of the unit.

### Installation – Mains Wiring

All mains wiring should be provided in accordance with the current edition of the IEE Wiring Regulations. (Currently 16<sup>th</sup> edition BS7671 1993) or in accordance with the relevant national wiring regulations.

The general requirement for the mains supply to the Alarm Controller is fixed wiring, using 3 core PVC cable not less than 0.75mm<sup>2</sup>, fed from an isolating switched fuse spur at 3 Amps. This should be marked appropriately and secure from unauthorised operation. All external wiring brought into the unit must be adequately insulated with PVC or Neoprene

## Installation – Mains Wiring (continued)

If three core cable is used and a good quality plastic backbox is used, the earth connection **MUST** terminate to the marked earth terminal on the D-101 printed circuit board. If a metal back box is used, the earth connection **MUST** be made to the earth bonding point on the back box and to the terminal on the printed circuit board.

Connection to the mains supply **MUST NOT** be made with a plug and socket. The mains supply should be exclusive to this unit.

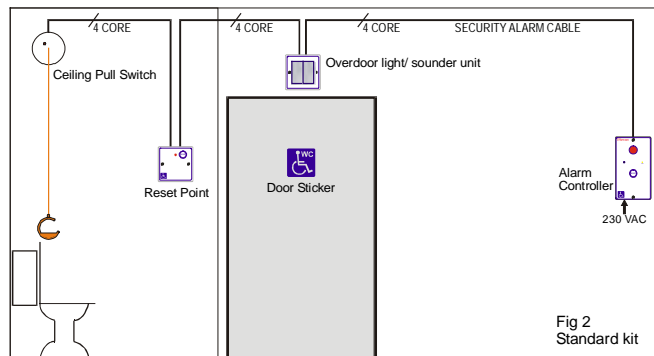
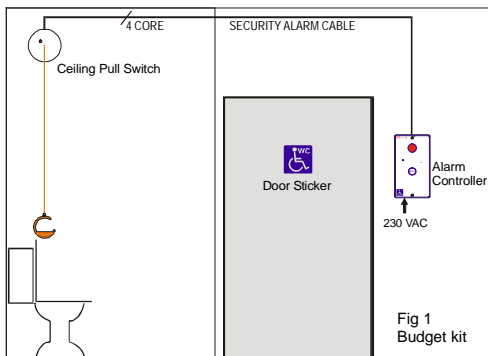
## Installation – Low Voltage Wiring

All low voltage, wiring coming into the Alarm Controller must be carefully planned before installation commences. An example wiring configuration, showing how ancillary devices are connected to the unit, is shown below. Always segregate low voltage wiring from mains wiring. To aid installation, the low voltage connector can be pulled from the printed circuit board.

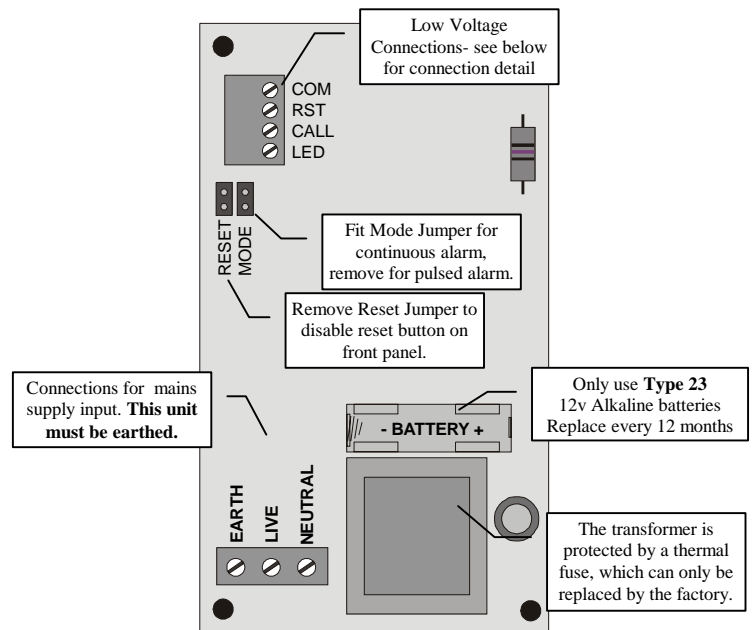
## Low Voltage Cable

Use 4 or 6 core security alarm cable.

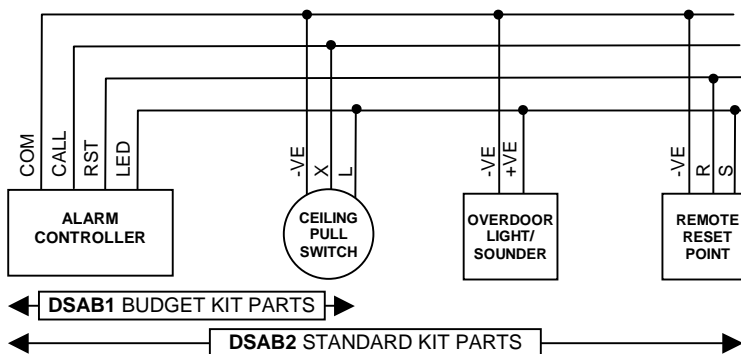
## Typical system & wiring configuration



## Alarm Controller PCB Detail



## System Connection Detail



The following table shows the equipment supplied in the Standard and Budget disabled toilet alarm kits:

Product Description	DSAB1 Budget Kit	DSAB2 Standard Kit
Alarm Controller	◆	◆
Ceiling Pull Switch	◆	◆
Overdoor Light/Sounder	-	◆
Reset Point	-	◆
Disabled WC Door Sticker	◆	◆

The above diagrams show the typical configurations of both the **Budget Kit** order code: **DSAB1** and the **Standard Kit**, order code: **DSAB2**, together with the connection information. In fig 1 using the budget kit, we have the ceiling Pull Switch located within the toilet area & the Alarm Controller providing the alarm indication and reset point outside. In fig 2 using the standard kit, we show the Ceiling Pull Switch and a Reset Point in the toilet area. Outside the toilet, above the door, we have the Overdoor Light with sounder, and in the remote location, we have the Alarm Controller. In this configuration, the reset button on the Alarm Controller should be disabled to ensure the alarm can only be reset at the Reset Point within the toilet. One Alarm Controller can operate a maximum of two Overdoor Light / Sounder Units and two Ceiling Pull Switches or two Reset Points.

**Specifications: Input 220~240VAC 1.2VA / Output 12V DC Max 0.1A / Protection: Encapsulated thermal fuse on input.**